

# Cambs & Hunts Bridge

Number 60, January 2012

## Cambs & Hunts news

Chris Jagger finished in second place in the Premier League, earning himself a spot in the England Camrose team in March. Mike Seaver and Peter Morgan won the Swiss Pairs at the Seniors' Congress. Fred Allen and Roger Salmon won the BGB Autumn Simultaneous Pairs.

### Cambs and Hunts Rubber Bridge Knock Out

New social-but-serious knock out – all you need is a partner and a bit of luck!  
Competition to start in March, with matches played in people's homes.

Entry is free, just contact Chris Jagger by mid-February.  
Tel: 01223 259524 or [chjagger@deloitte.co.uk](mailto:chjagger@deloitte.co.uk)

### Get your club to enter the Garden Cities!

Saturday 25th February, 1pm, Peterborough Bridge Club, PE1 2PE

One Day club teams of eight (clubs may enter more than one team).  
Entries to Trevor King, Tel: 01733 572457 or [Trevor@alpinebridge.co.uk](mailto:Trevor@alpinebridge.co.uk)

## In this issue...

Jonathan Mestel exposes us to his darkest nightmares, while Ken Riley relates a real nightmare at the bridge table after an opponent led out of turn. Chris Jagger reports on the Premier League and the Tollemache qualifier, and provides more help on how to bid after partner has overcalled. There's also the answer to last newsletter's lead problem, a new play problem, the usual round-up of results from national and county competitions and news from around the clubs.

Visit the county's website at

[www.cambsbridge.org.uk](http://www.cambsbridge.org.uk)

- information on bridge clubs
- this and previous newsletters
- details of competitions and results

Please send items for the website to **David Allen** on [david@djallen.org.uk](mailto:david@djallen.org.uk)

The next newsletter will be published in May.

Please send in news, letters and hands no later than 15<sup>th</sup> April.  
All contributions welcome!

Editors: **Chris & Catherine Jagger**  
14 St Barnabas Court, St Barnabas Rd  
Cambridge, CB1 2BZ

Tel: 01223 259524

Email: [chjagger@deloitte.co.uk](mailto:chjagger@deloitte.co.uk)  
or [catherine@ciraworld.com](mailto:catherine@ciraworld.com)



♣KQ109x. With this hand he would have a genuine problem – if I cashed the remaining heart and ♦A and threw him in with the ♦K. He would know the heart and diamond count, but could play me for 3-2 either way in the black suits. Since I only had a 19 count I thought he would probably end up playing for me to have the ♣J (so originally starting with ♣AJx), and hence exit in a ‘safe’ spade, assuming I’d started with ♠AJ bare.

In the event it all looked a bit silly – it was West who had the ♦K, and I needed to cash the club to make sure he was endplayed to lead a spade, giving me another trick in that suit.

Would I have made this without screens? Oh, what it is to have another excuse for getting something wrong!

### Play problem

You are in 6NT, playing teams. Opponents have been silent throughout. LHO leads ♥Q. Plan the play.

	♠ AQJx ♥ Ax ♦ xx ♣ Kxxxx				
♥Q led	<table border="1" style="margin: auto;"> <tr><td style="text-align: center;">N</td></tr> <tr><td style="text-align: center;">W E</td></tr> <tr><td style="text-align: center;">S</td></tr> </table>	N	W E	S	
N					
W E					
S					
	♠ Kxx ♥ Kx ♦ AKQ10x ♣ Axx				

Please send your answers to the editors. The solution will be in the next issue.

## A Bridge Nightmare

by Jonathan Mestel

Does the Newsletter have access to a bridge psychiatrist? There must surely be copious demand for therapy of this nature. I can’t be the only person who has bridge-related dreams – these inevitably involve some catastrophe or other. Once I was declaring 7S. LHO led ♠2, RHO followed with ♠3, and without looking I played my lowest spade, only to find that RHO had won the trick, I know not how. Here is a still more mystifying case.

Do you ever have dreams when people laugh at you for no good reason? Last night I dreamt everyone ended up praising me for no good reason. I can’t say I found it any the less disconcerting, though.

I picked up a balanced 1-count as West on the hand below. Partner’s name was something like “Elsie”, while South was Otto something or other. North was destined to be dummy, and so he rests in nameless obscurity.

Game All					
Dealer E	♠ QJ73				
	♥ QJ5				
	♦ A				
	♣ Q10643				
♠ 10654	<table border="1" style="margin: auto;"> <tr><td style="text-align: center;">N</td></tr> <tr><td style="text-align: center;">W E</td></tr> <tr><td style="text-align: center;">S</td></tr> </table>	N	W E	S	♠ AK82
N					
W E					
S					
♥ 10964		♥ K72			
♦ 943		♦ KQJ8			
♣ J9		♣ K2			
		♠ 9			
		♥ A83			
		♦ 107652			
		♣ A875			

The auction took the following course:

N	E	S	W
	1D	P	P
X	1NT	X	2C
X	P	P	XX
P	2S	3C	P
4C	P	5C	All Pass

The key point for me was my decision to remove 1NT X. It seemed to me that partner would very often have either 5 diamonds or a 4 card major, and even

were he 3-3-4-3, 2D might be no worse than 1NT. Furthermore, my sequence of bidding 2C and then redoubling for rescue would surely uncover our best fit. Anyway, I knew I was dreaming and that worse things had to lie in store for me than merely watching helplessly as partner went down.

When partner bid 2S, South quizzed him at length and I felt somewhat smug when he stated I probably had a 4-4-3-2 shape.

They staggered to game and I had to lead. They were obviously expecting a spade or diamond, so I selected ♥9, 2nd highest from a poor suit.

My ♥9 was covered by the J, K and A and declarer now led ♠9. It took me a second or two to realise I had to cover with the ♠10 lest it ran, establishing an eventual spade trick. Partner took ♠J with the King and continued ♥7 to the 8, 10 and Queen. I was rather pleased to note that my ♥6 was now high in the suit. And my lead was probably best too. Things were looking up.

Declarer now cashed ♦A and led ♣Q from the table in this position:

Game All	♠ Q73		
Dealer E	♥ 5		
	♦ —		
	♣ Q10643		
♠ 654		N	♠ A82
♥ 64		W	♥ 2
♦ 94		E	♦ KQJ
♣ J9		S	♣ K2
	♠ —		
	♥ 3		
	♦ 10765		
	♣ A875		

What was South playing at, I wondered? Even should I hold a stiff Jack, he would still have a trump loser. But partner was pondering.

Suddenly I remembered this was a nightmare. Partner was about to blow a

certain trump trick. Why had I sat down at the table with such carvers? My pulse raced. But then partner covered, realising I couldn't hold ♣A on the auction.

Declarer won the ♣A, ruffed a diamond, led ♠Q, covered and ruffed and ruffed another diamond. After some thought, he led ♠7 from the table. Partner covered with the 8, declarer ruffed and once again I found myself with the master six! Maybe I'll write a Newsletter article, wittily entitled "A Tale of Two Sixes", I thought to myself. Perhaps this wasn't a nightmare after all, I mused, as declarer led another diamond:

Game All	♠ 3		
Dealer E	♥ 5		
	♦ —		
	♣ 106		
♠ 6		N	♠ 2
♥ 64		W	♥ 2
♦ —		E	♦ K
♣ J		S	♣ 2
	♠ —		
	♥ 3		
	♦ 107		
	♣ 8		

I stared at my cards in utter disbelief – there was nothing I could do. Noting my discomfort declarer claimed in faltering English: "If you trump, I throw heart and cross-trump everyone. If you throw ♠6, I trump and play heart on ♠3. And I will elope, following the heart."

I have no idea why he chose to mention his private life at this juncture, but I had to concede three tricks. The injustice of it all! He sets up three winners in my useless hand and I only get to score one of them. I try not to criticise opponents' play at the table, but this was too much.

"Did you really think my partner wouldn't cover ♣Q?" I snorted.

The table went very quiet. Dummy looked at me with surprise and respect. Partner looked dazed, and then abashed. “Sorry about that - I wasn’t thinking,” he mumbled, “and after you’d found such a good lead too.”

Declarer added bafflingly, “Maybe it good if I duck too, yes?”

This was insane - they were all clearly in dire need of psychiatric help - but they were all looking at me admiringly, which doesn’t happen all that often, so I held my tongue. And then I woke up. What do you make of it all, Doc?

-----

Doctor Anna Liszt comments:

An interesting case, bearing many hallmarks of a classic anxiety dream, brought about by delusions of adequacy. The patient’s lethologica regarding the other players is surely significant – he is clearly in awe of both East and South.

A few points about the auction. First note how East has an exceptionally forceful id – the 1D opening with a high point-count is very characteristic. The patient’s decision to bid 2C vulnerable – giving opponents a much simpler way of scoring +600 without risk by passing it out – is symptomatic of a mild psyche-osis.

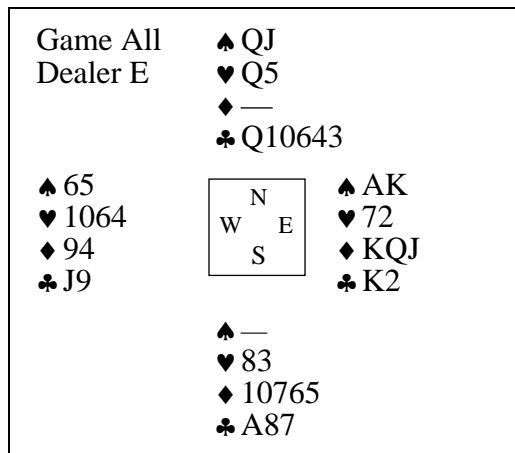
Whatever its subconscious motivation, the high heart is the only lead to beat the contract – anything else would be an “entry retentive” choice, as ♥A provides access to the long diamond. On a diamond lead, say, declarer ducks a spade, cashes ♣A and cross-ruffs, establishing the long diamond before exiting with the last trump. With no black cards remaining, he makes the last 3 tricks in the red suits.

In the diagram position above, covering the ♣Q is a subtle error – if East plays small, the contract has no hope. The other players – subconscious manifestations though they be – realised this rather quickly.

The ♣K is needed to overruff dummy, preventing the elopement (which refers not to an adventurous marriage but rather the scoring of small trumps before they can be drawn). It would not help declarer to draw two rounds of trumps, and so the usual reasons for covering ♣Q do not apply.

Declarer’s spade plays were classic examples of “transference”, more common in analysis than everyday life. What psychoanalysts call the “period of hesitation” before West’s covering of ♠9 doubtless enabled South to read that the ♠8 was with East.

South’s final cryptic remark was probably a suggestion that at trick 2 he could have declined to cover ♠10, keeping the lead in the hand which could not attack hearts. The patient would doubtless have continued spades to remove an entry from the long diamond. Declarer ruffs this, unblocks ♦A and leads ♣Q from the table in this position:



Once again, to cover ♣Q is fatal, another illustration of “transference”, this time in trumps. ♣A, D-ruff, S-ruff, D-ruff, S-ruff, D-ruff and the last

trump endplays West to lead away from ♥10. If East declines to cover ♣Q, however, the contract cannot be made.

As Thomas Jefferson said, “Nobody should cover an honour by doing what is wrong.”

## A little learning by Ken Riley

Because some of the best players at our club had not turned up for the heat, my partner and I, relative newcomers to serious bridge, surprisingly found ourselves qualified to play in the final of our County Pairs. Nothing particularly memorable happened for quite a few boards, and we seemed to be getting about 50% of the match points.

Then, as North and dealer, I picked up ♠ AQJxx, ♥ AKJxxx, ♦ x, ♣ x. It was a toss-up between a 2♣-opener and bidding a (5-card) major. If I opened a major, it was unlikely to be passed out with so much distribution around, and I would be able to make strong subsequent rebids in the other major. So, the bidding went something like:

N	E	S	W
1♥	P	2♣	3♦
3♠	P	4♥	P
4NT <sup>1</sup>	P	5♦ <sup>2</sup>	P
6♥ <sup>3</sup>	All Pass		

(1) RKCB

(2) 1 or 4 keycards – almost certainly ♣A in view of the previous bidding

(3) Partner must have additional values for the 2-level response; they are unlikely to be in diamonds. Any further enquiry would commit us to the 6-level, whatever the response.

Almost simultaneously with his final pass, West laid ♦A on the table, face-up. Oops!, a lead out of turn. The Director was called, and, although I'm sure we all knew them, rehearsed the five alternative ways to salvation. At this point I thought I saw a chance to be

clever: if I required East to make the opening lead but prohibited a diamond, then I might avoid a loser in that suit. It only required my partner to hold the ♣K in addition to the supposed ace, something that seemed quite possible on the bidding. As this was a match-pointed competition, avoiding an ‘unavoidable loser’ should give an excellent result. So I declined West's out-of-turn lead and instructed East not to lead a diamond; she chose a spade.

Dummy went down, ♠ KTx, ♥ Qxx, ♦ xx, ♣ AKxxx, and I was very pleased with what I saw. The two hands seemed to fit perfectly and, just as I had hoped, partner had the ♣K. The hand looked cold for 6♥+1 for what should be a top, as others would only make 12 tricks after a diamond lead.

Then came the shock – West ruffed the spade lead and cashed the ♦A! From 6♥+1, for a top, to 6♥-1 for a bottom, and all in the space of three cards. On reflection I was even more ‘not amused’; if I had accepted the lead out of turn, or there had been no infringement and the normal diamond lead had been made, I would at least have made the small slam and shared a middle with everybody else. One person who was ‘very much amused’ was the Director, who had stayed at our table to watch the play unfold; “Rub of the green” or words to that effect was his comment. The E-W hands were:

East: ♠ xxxxx, ♥ xx, ♦ Jxx, ♣ xxx

West: ♠ —, ♥ xx, ♦ AKQxxxx, ♣ QJxx

As I said to start with, a little learning is a . . . .

## The Jolly Tolle rides again by Chris Jagger

No moans this year in the Tolle Quali, as we found ourselves in the easiest section yet, with Kent the only serious threat. The two of us were heavy favourites to take the spots in the final.

We played them in the first match, and a comfortable win set us up nicely for the weekend. The following hand both helped and hindered our cause – one of the swingiest hands I have ever seen:

EW Vul	♠ J7		
Dealer E	♥ 7		
	♦ 10		
	♣ AJ10865432		
♠ 9543		♠ AKQ10862	
♥ K10964		♥ 8	
♦ AQ4		♦ K9765	
♣ Q		♣ —	
	♠ —		
	♥ AQJ532		
	♦ J832		
	♣ K97		

At our table the auction was:

<b>N (Jon)</b>	<b>E</b>	<b>S (Chris)</b>	<b>W</b>
	4♠	5♥	X
6♣	P	P	X
All Pass			

The first two bids were without much thought. The first double was slow, and I was willing him not to double. The second considerably slower, and I was willing him to double! +1190 on a spade lead.

Julian and Giles sitting the same way went one better:

<b>N (Julian)</b>	<b>E</b>	<b>S (Giles)</b>	<b>W</b>
	1♠	2♥	3♠
4♣	4♦	5♣	5♠
6♣	6♠	P	P
7♣	P	P	X
All Pass			

1♠ was slow, 3♠ was decidedly weighty, 4♣ was undercooking it, but

the final 7♣ contract was a good save against 6♠. In fact a great save on the ♠A lead, when the ruffing finesse collected 13 tricks for +1690!

Meanwhile Jonathan and Cath knew how to stop them saving:

<b>N</b>	<b>E (AJM)</b>	<b>S</b>	<b>W (Cath)</b>
	1♠	2♥	3♥
5♣	5♦	6♣	X
P	6♠	All Pass	

A fairly sensible auction, though I would have been tempted to bid on with the club hand, but perhaps the double of 6♣ deterred this.

This scored well with us: +21 imps, and even better with Julian/Giles, when it was worth an extra imp. Paul and Catherine sensibly bid to slam, but opponents sacrificed, and on the ♠A lead that was another -1590, for a flat board with Julian/Giles, and -10 imps with us – I have never lost such a large swing having had 21 imps with someone else!

X

### County events

#### County Individual Final

Sunday 19th Feb., Trumpington, 1pm.

#### Garden Cities Qualifier

Saturday 25th Feb., Peterborough, 1pm.  
Trevor@alpinebridge.co.uk

#### Novice Pairs Tournament

Sat. 10th March, Trumpington, 10am.  
gladys.g40@ntlworld.com  
X

#### County Pairs Final

Sun. 25th March, Trumpington, 1pm.

#### County Swiss Pairs

Sunday 29th April, Trumpington, 1pm.  
penny.riley@ntlworld.com

## Changing the suit after partner overcalls

by Chris Jagger

Every player in the street knows how to respond to overcalls – the more you bid, the better the hand. End of article? Not quite. Suppose the auction starts 1♦-1♥-P-2♣ - is this forcing? Surely any sophisticated player knows that this must be forcing – ‘new suit forcing’, eh?

Actually there is no general agreement about how new suits are played after an overcall. No matter what the standard of my partner, the one thing I find is that virtually everyone thinks there is a ‘standard’ way to play, and doesn’t realise that half the population disagrees with them!

On the face of it, it seems like playing it as forcing is ‘simpler’ – you can happily bid a new suit, safe in the knowledge that overcaller will not pass. So what is he meant to do with a minimum overcall and only a five card suit – he can rebid his suit of course, but that tells responder very little – responder didn’t have a fit for the suit and still doesn’t know if the overcaller has a good suit – after all he was forced to bid. In fact we don’t seem to have got very far at all – and we haven’t even managed to find our best fit yet.

So there is a good case to be made for playing the new suit as non-forcing. Partner can pass with a bad hand and not a great suit, so if he rebids his suit he is far more likely to have a good suit now (note for this to work well it is important that you raise partner straight away with support – either by actually raising him, or by making an unassuming cue bid (bidding the opponent’s suit) – but then you should be doing this anyway). If he raises, you know something positive about the hand – that he has a reasonable

overcall with a fit. The key is that you have actually found out something about partner’s hand.

If you are playing 2♣ as non-forcing, then if you are really strong you can bid 3♣ instead if you must, but generally just bid 2♣ and don’t worry if partner passes – if he does it is unlikely you will have missed anything.

So why is it so different from responding to an opening bid? The key is that the overcaller is more likely to be weak, and as he has shown five cards (normally) for the overcall, you should raise with a fit straight away.

Of course, to be serious about it, it is something worth discussing with partner – this is one of the few areas where sitting down and playing common sense can occasionally go astray.

### What’s the right lead?

Last Newsletter, we set the following puzzle, which was composed by Richard Pavlicek.

(Sitting West) ♠KQ10  
♥KQ9  
♦KQ32  
♣KJ10

The auction goes:

N	E	S	W
4♠	P	4NT	P
5♦	P	6NT	X

All pass

Oppo may or may not be insane, but the contract must surely fail. North has given the correct Blackwood response of one ace. South was maybe hoping



Declarer wins the ♦9 and leads a low spade. If we play a top honour we are doomed. Dummy ducks, and if we return a red suit, he cashes both red aces and runs the spades – we get triple squeezed, having to guard three suits – or if we lead a club, he cashes two clubs and a red ace and we get squeezed in the red suits.

So instead we play ♠10 on the first round. Declarer wins ♠J, and ducks a spade. We must now immediately return a third spade before declarer can unblock the red aces. We are now safe.

So, as everyone knows, lead 4th best from your longest suit against no trumps.

## Results round-up

### National competitions

Chris Jagger's team finished second in the Premier League, earning him a Camrose match in March 2012. Paul Fegarty's team (Catherine Curtis, David Kendrick, Jonathan Mestel, Catherine Jagger) finished in 5th place. In the Seniors Camrose Trials, David Kendrick's team finished second.

At the Seniors' Congress, Mike Seaver & Peter Morgan won the Swiss Pairs (pictured above), and Michael Keogh & Mary Knights were second in the Championship Pairs semi-final. At the Autumn Congress, David Kendrick finished 6th in the Two Stars final.

Cambs & Hunts comfortably won their group at the Tollemache qualifier. The team was Chris Jagger, Jon Cooke, Paul Fegarty, Catherine Curtis, Giles Woodruff, Julian Wightwick, Cath Jagger & Jonathan Mestel, with npc Chris Larlham.

Fred Allen & Roger Salmon (Thursday Club) won the BGB Autumn Simultaneous Pairs. In the ECatsBridge Simultaneous Pairs for Children in Need, Marion & Trevor King (playing at Royston) finished in 19th place in the Thursday event, while Vin Vachher & Trevor McCann had finished 20th in the Monday event. Niall Davies & Andrew Green from the Perse School were 5th in the EBU Schools Bridge Pairs

### Cambs & Hunts Swiss Teams

Congratulations to Trevor & Marion King, Christina Brewster & Chris Heames on winning the Cambs & Hunts Swiss Teams. Last year's winners Mary & Terry Knights and Graham & Berry Hedley were second.

1. T. King, M. King, C. Heames, C. Brewster
2. G. Hedley, B. Hedley, M. Knights, T. Knights
3. M. Keogh, S. O'Kell, D. Simpson, A. Coker
4. M. Anderson, S. Goodwin, M. Chaplin, R. Chaplin
5. D. Oram, C. Oram, G. Foley, B. Foley
6. P. Riley, K. Riley, D. Mann, G. Gittens
7. J. Crane, B. Hope, J. Porter, K. Farquhar
8. P. Newnes, M. Edwards, R. Kitchen, D. Windsor
9. L. Waters, A. Edwards, A. Lloyd, S. Stokes
10. K. Blacklock, R. Vajda, B. Spencer, M. Cooper

### Changes to EBU competitions:

**Ranked Masters:** the competitions for Premier Masters and below will be played at regional venues (4 March).

**Eastern Counties League**

The county scored 9-11, 15-5 and 13-7 against Beds.

**ECL Dates**

15 January 2012 v Herts (H)

5 February 2012 v Suffolk (A)

11 March 2012 v University (A)

**South Cambs League**

## Division 1

#	Team	P	W	L	D	VPs	Ave
1	Ely 1	3	3	0	0	49	16.3
2	Cambridge 2	3	2	1	0	45	15.0
3	North Cambs 1	1	1	0	0	18	18.0
3	Thursday 1	3	1	2	0	18	6.0
5	Peterborough 1	1	0	1	0	5	5.0
5	University 1	3	0	3	0	5	1.7

## Division 2

#	Team	P	W	L	D	VPs	Ave
1	Peterborough 3	3	2	1	0	35	11.7
2	Huntingdon 1	2	2	0	0	30	15.0
3	Huntingdon 3	4	0	4	0	25	6.3
4	Huntingdon 2	1	1	0	0	19	19.0
5	Peterborough 4	2	1	1	0	11	5.5
6	Cambridge 4	0	0	0	0	0	0.0
6	University 2	0	0	0	0	0	0.0

## Division 3

#	Team	P	W	L	D	VPs	Ave
1	Cambridge 3	2	1	1	0	19	9.5
2	Peterborough 2	1	1	0	0	17	17.0
2	Thursday 4	1	1	0	0	17	17.0
4	Peterborough 5	2	0	2	0	7	3.5
5	Ely 2	0	0	0	0	0	0.0
5	North Cambs 2	0	0	0	0	0	0.0
5	Thursday 2	0	0	0	0	0	0.0

## Division 4

#	Team	P	W	L	D	VPs	Ave
1	Saffron Walden 2	2	2	0	0	24	12.0
2	Ely 3	1	1	0	0	20	20.0
2	Thursday 3	3	1	2	0	20	6.7
4	Balsham	2	1	1	0	19	9.5
5	Cambridge 5	1	0	1	0	9	9.0
6	Saffron Walden 1	1	0	1	0	8	8.0
7	University 3	0	0	0	0	0	0.0

**County Knockout**

First round:

POLLARD beat RAINFORTH

Second round:

JAGGER beat RILEY

SEAVER beat COPPING

JACOBSBERG beat LARLHAM

JACKSON beat Stevenson

CURTIS beat RUSSELL

STELMASHENKO beat POLLARD

MAY beat PATTEN

KING beat ANDERSON

## **Around the Clubs**

### **Blinco**

The Barker Trophy was won by Cynthia Anderson.

### **Cambridge**

The Swiss Pairs was won by Ken & Penny Riley.

The May Pamplin Handicap Teams was won by Peter Jackson, Carole Parker, Philip & Brenda Jones.

The club donated £200 to Children in Need.

### **Cottenham**

Derek Oxbrow & Jean Davies won the Alan Ashment Handicap Cup.

### **Ely**

The Ros Setchell Salver was won by Anne Read & Graham Miller, Dorothy White & Yvonne Keech.

### **Huntingdon**

The Club Pairs Trophy was won by Pauline Baily & Roger Millington. Runners-up Anne Theakston & Jill Challinor won the Gardiner Plate, and the Consolation Final for the Porter Trophy was won by Eddie Humphrey & Michael Krause.

### **North Cambridge**

The monthly Prize Pairs have been won by Vin Vachher & Trevor McCann (October) and Sazan Dickens & Sonia Holmes (November and December).

Peter Morgan & Frank Padgett won the Club Pairs Championship. Frank also topped the individual table for 2011, while Peter Last & Susan Mealing headed the partnership table.

### **Saffron Walden**

Ross Midgley headed the individual table for 2011, and together with Chris Larlham also headed the partnership table.

### **Thursday**

Fred Allen headed the individual table for 2011, and together with Roger Salmon also headed the partnership table.